

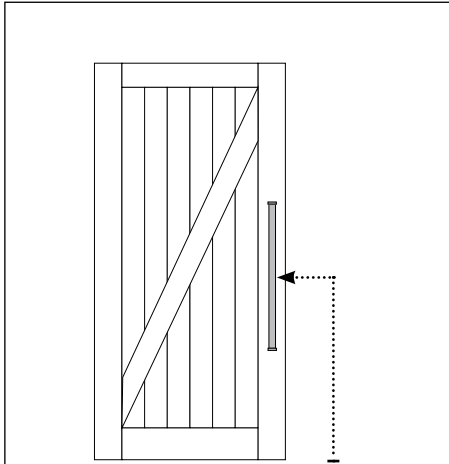
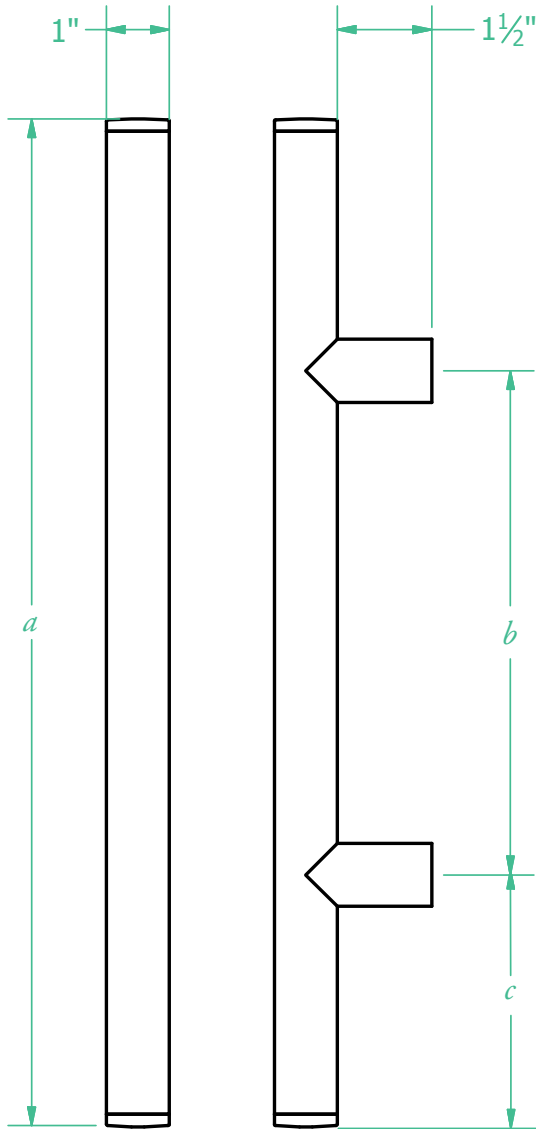
# Loft Door Pull



**RUSTICAHARDWARE®**



# Loft Door Pull



The location where you attach your Door Pull is up to you. We suggest you don't attach your Door Pull too close to the edge of your Door or a seam, as this would weaken the integrity of your Door. Typically we recommend that the center of your Door Pull be lined up 3' from the bottom of the door."

<i>length</i>	8	10	12	14	16	18	20	22	24	26	28	30	32	34	36	38	40	42	44	46	48
<i>a</i>	8	10	12	14	16	18	20	22	24	26	28	30	32	34	36	38	40	42	44	46	48
<i>b</i>	4	6	6	8	8	10	10	12	12	14	14	16	16	18	18	20	20	22	22	24	24
<i>c</i>	2	2	3	3	4	4	5	5	6	6	7	7	8	8	9	9	10	10	11	11	12

*\*all measurements show in inches*



**RUSTICAHARDWARE®**

