

INSTALLATION INSTRUCTIONS



ROYAL HANGER



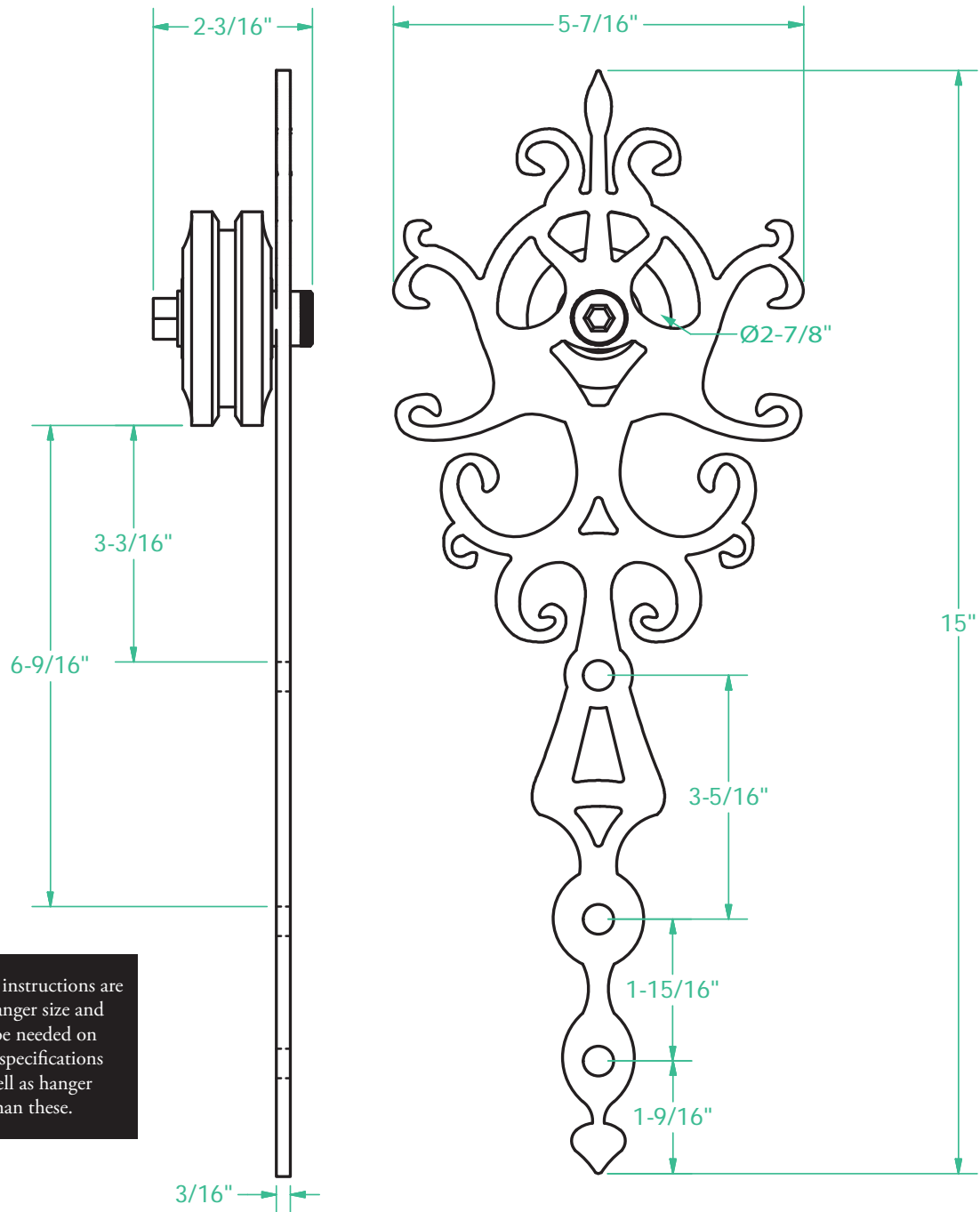
.....RUSTICAHARDWARE®.....



6.16.2016



RUSTICAHARDWARE®



PLEASE NOTE: These instructions are specific to a particular hanger size and type. Adjustments may be needed on your part for changes in specifications and measurements, as well as hanger types that are different than these.

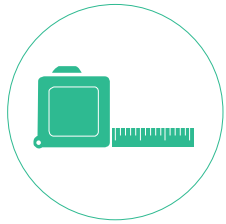
ROYAL

SPECIFICATIONS



INSTALLATION INSTRUCTIONS

Tools Needed



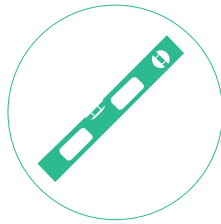
Tape Measure



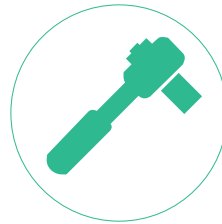
Pencil



Drill with 1/8", 1/4" and 3/8" bits, 1-1/8" spade bit and Phillips drill bit



Short Level

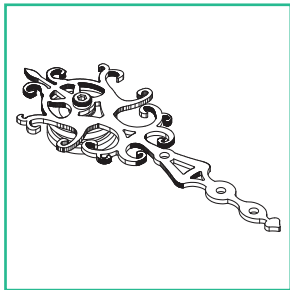


Ratchet with 9/16" and 5/8" sockets

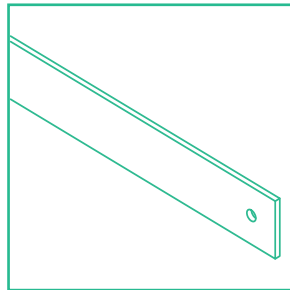


9/16" and 5/8" open end wrench

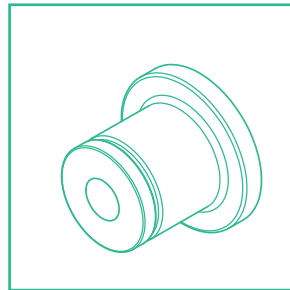
Parts Included



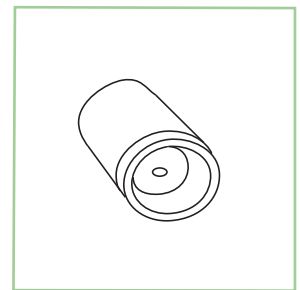
Hanger Assembly



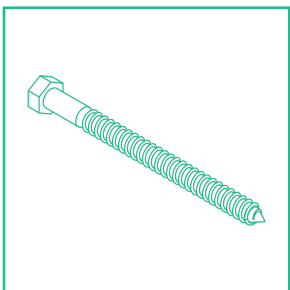
Track



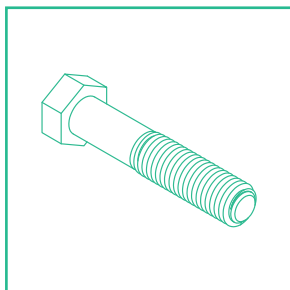
Adjustable Spacers



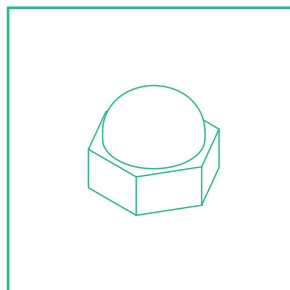
Lag Soft Stops



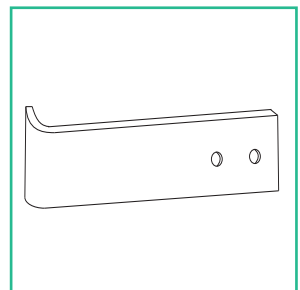
Lag Screws



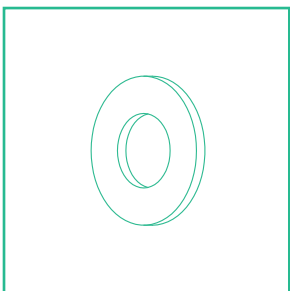
Hex Bolts



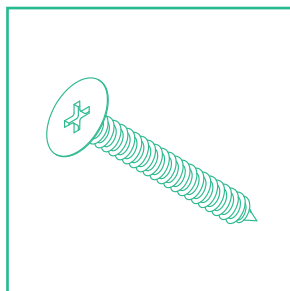
Acorn Nuts



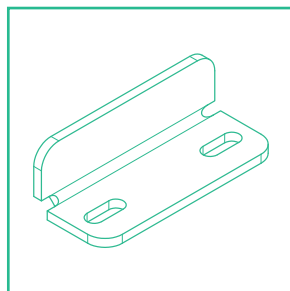
Anti-jump Brackets



1" Washers



Grabber Screws



Door Guide



Instructions

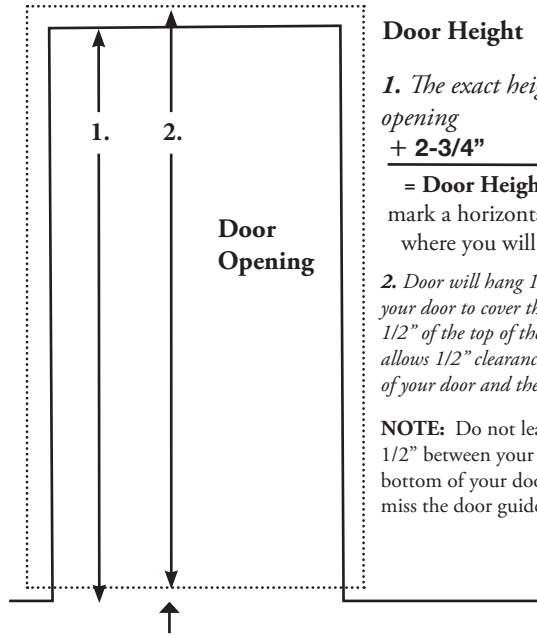
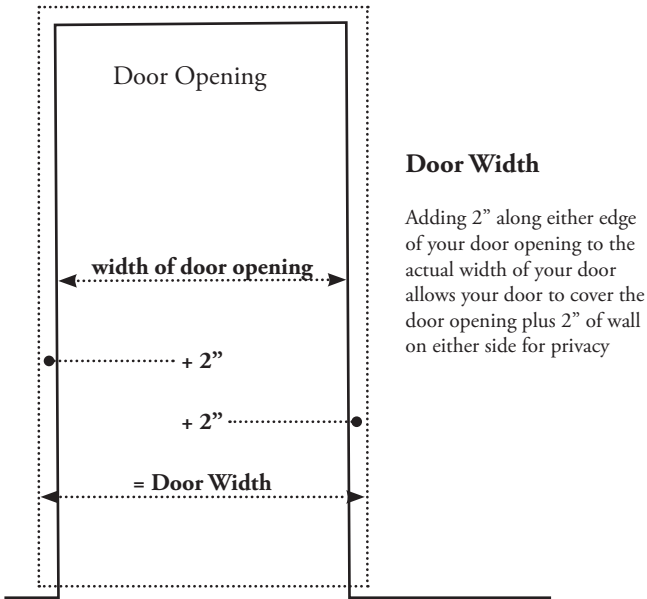


RUSTICAHARDWARE®



HOW TO MEASURE FOR DOOR SIZE

Doorways Without Trim



1. The exact height of your door opening

+ **2-3/4"**

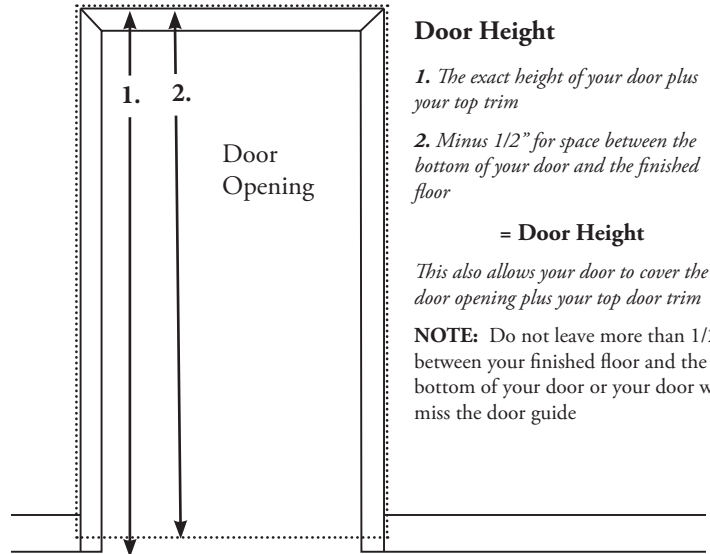
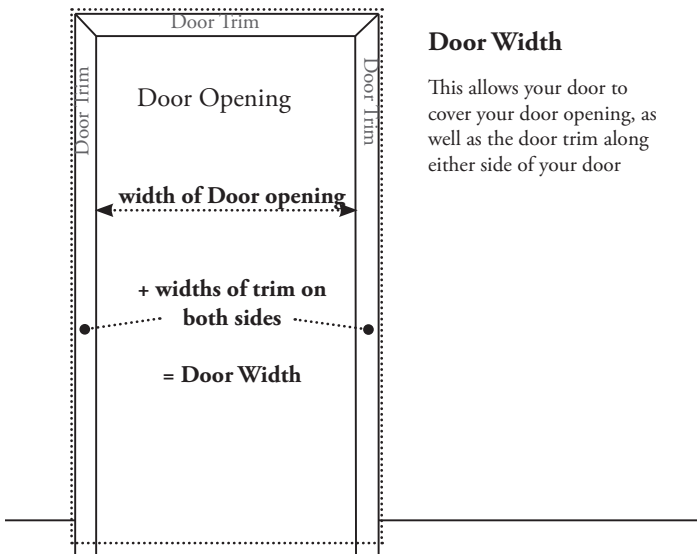
= **Door Height** (where you will mark a horizontal line on your wall where you will hang your Track)

2. Door will hang 1/2" higher up to allow your door to cover the door opening plus 1/2" of the top of the doorway. It also allows 1/2" clearance between the bottom of your door and the finished floor

NOTE: Do not leave more than 1/2" between your finished floor and the bottom of your door or your door will miss the door guide

Measurements given are suggestions for a minimum door size. You can have larger door coverage if you wish. More overlap offers more privacy.

Doorways With Trim



1. The exact height of your door plus your top trim

2. Minus 1/2" for space between the bottom of your door and the finished floor

= **Door Height**

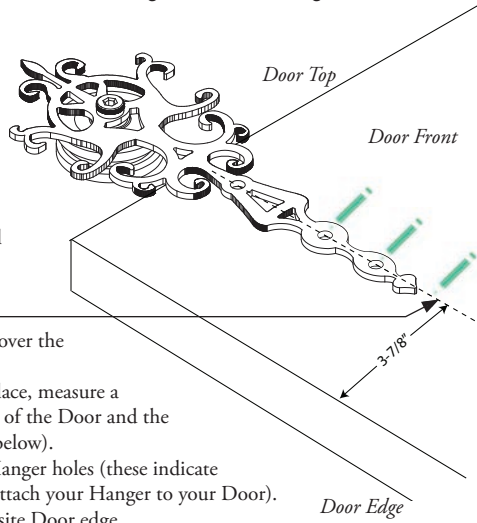
This also allows your door to cover the door opening plus your top door trim

NOTE: Do not leave more than 1/2" between your finished floor and the bottom of your door or your door will miss the door guide

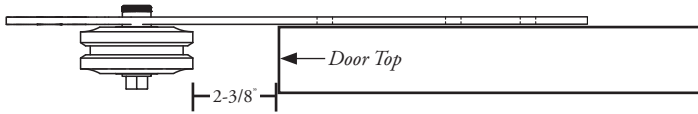


INSTALLATION INSTRUCTIONS

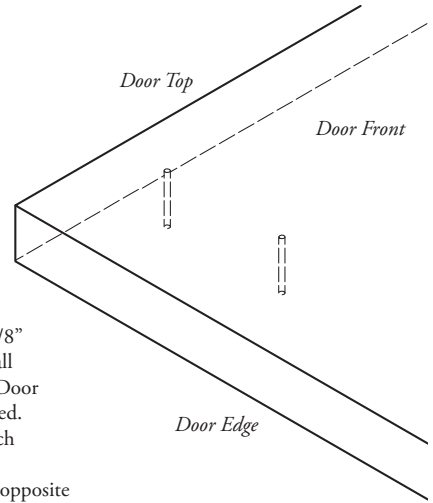
1. Measuring and Marking Your Hanger Holes



- Lay your Door facing UP on saw horses.
- Pencil a line 3-7/8" parallel from the Door edge (this marks the proper location for the Hanger center).
- Center your Hanger holes over the line you just made.
- Holding your Hanger in place, measure a 2-3/8" gap between the top of the Door and the bottom of the Wheel (see below).
- Mark the **center** of both Hanger holes (these indicate where you should drill to attach your Hanger to your Door).
- Repeat Step 1 on the opposite Door edge.



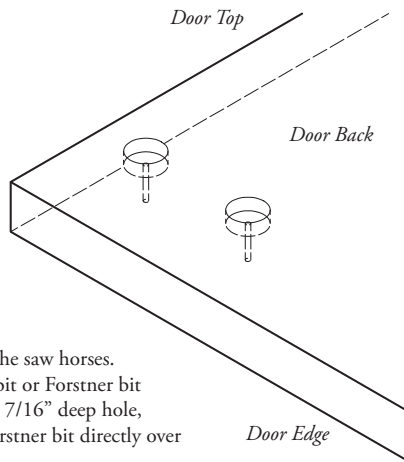
2. Drilling Pilot Holes



- Using a drill with a 1/8" bit, drill a pilot hole all the way through the Door where you have marked. (one pilot hole for each hole in the Hanger).
- Repeat Step 2 on the opposite edge of the Door.



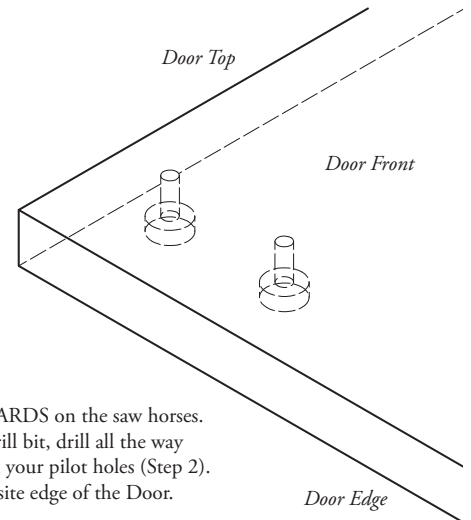
3. Drilling Countersink Holes



- Lay the Door facing DOWN on the saw horses.
- Using a drill with a 1-1/8" spade bit or Forstner bit (a Forstner bit is preferred), drill a 7/16" deep hole, centering your 1-1/8" spade or Forstner bit directly over the 1/8" pilot hole.
- Repeat Step 3 on the opposite edge of the Door.



4. Drilling Lag Screw Holes



- Lay the Door facing UPWARDS on the saw horses.
- Using a drill with a 3/8" drill bit, drill all the way through the Door, through your pilot holes (Step 2).
- Repeat Step 4 on the opposite edge of the Door.



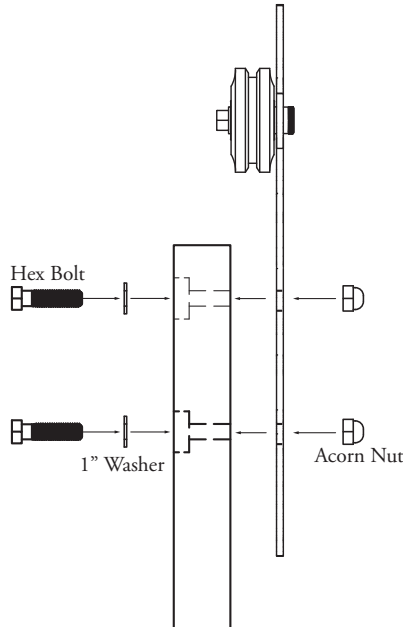
RUSTICAHARDWARE®



INSTALLATION INSTRUCTIONS

1. Installing Your Hanger Assembly To Your Door

- Thread the Hex Bolts with the Washers through the back of the Door.
- Thread the Hanger assembly through the Hex Bolts on the front of the Door.
- Holding Hex Bolts in place using a ratchet with a 5/8" socket, lightly tighten your Acorn Nuts by hand.



2. Tightening Your Hanger Assembly

- Using a 9/16" wrench for the Acorn Nut and a ratchet with a 5/8" socket and for the Hex Bolt, gently tighten, being careful not to damage your Hanger or Acorn Nuts.
- Repeat Steps 1 and 2 on the opposite edge of the Door.

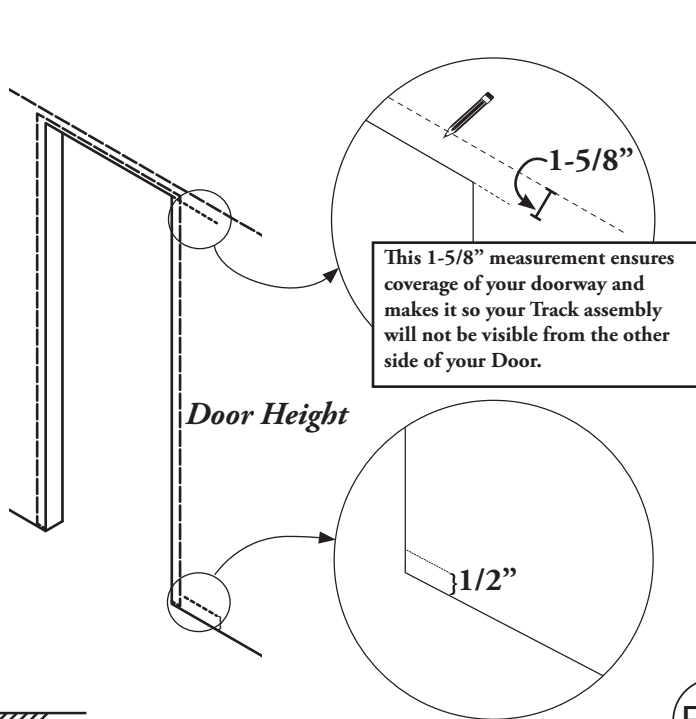


When installing your Track, be sure you are drilling into wall studs or into a Header that is installed through the wall studs. This will provide the stability your wall needs to hold the weight of your Door.

1. Measuring for Track Position

IMPORTANT!

If you are installing our Flat Track System, proceed. If you are installing either a Tube, Box, Bypass, J Track, or Ceiling Mount Track System, go to www.rusticahardware.com and download Installation Instructions specific to your Track System.



$$\begin{array}{r}
 1-5/8'' \\
 + \text{Door Height} \\
 + 1/2'' \\
 \hline
 = \text{Pencil} \quad \# \text{ of inches up from finished floor where you will pencil a horizontal line for your Track. This line will mark the center of the Track and your penciled line will be visible through the Track holes.}
 \end{array}$$

- Check to see if your floor is level. If your floor rises more than 1/2" along the length of the Track, you risk your Door rubbing or sticking at this high point.
- If your floor is not level, measure up from the highest point of your floor to find your Track hole center position to attach the Track to your wall.
- To determine where to install your Track, **add together 1-5/8" (space above door) plus 1/2" (floor gap) to the height of your Door.** This measurement is how high up on your wall (from your floor up) you should install the Track.
- This is where you will mark a horizontal line on your wall parallel to the finished floor, the same length of your Track.

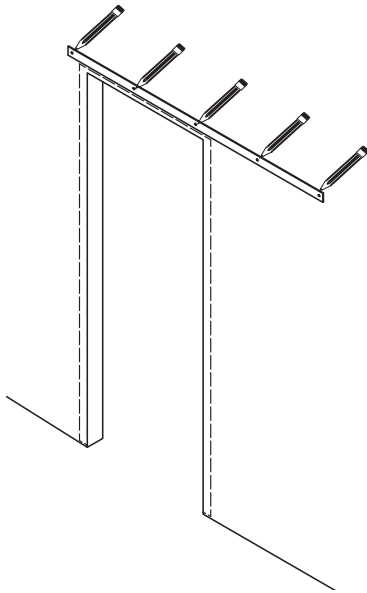


RUSTICAHARDWARE®



INSTALLATION INSTRUCTIONS

1. Marking and Drilling Track Holes

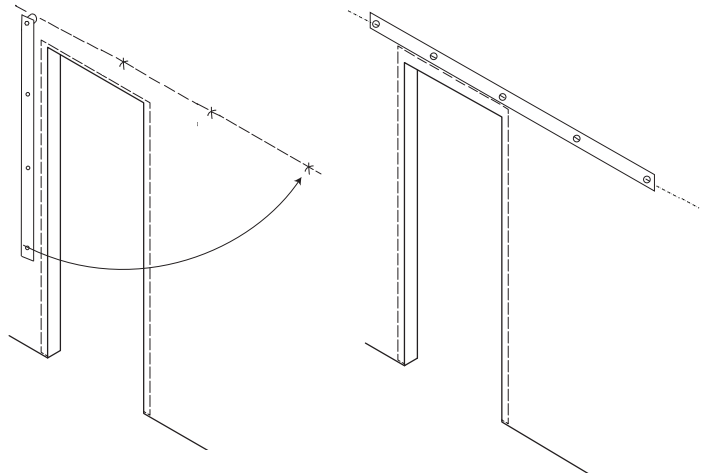


- Hold up your Track so that the marked line from the previous step is visible through the Track holes.
- Mark an intersecting line in the center point of each of the Track holes.
- Set the Track down.
- Using a drill with 1/4" drill bit, drill out your marked Track holes.*

**Be sure you are drilling into wall studs. If your track holes are not lining up with your studs, you will need to install your Track onto a header. The header needs to be attached to your wall through the studs. This will provide the stability your wall needs to hold the weight of your Door.*



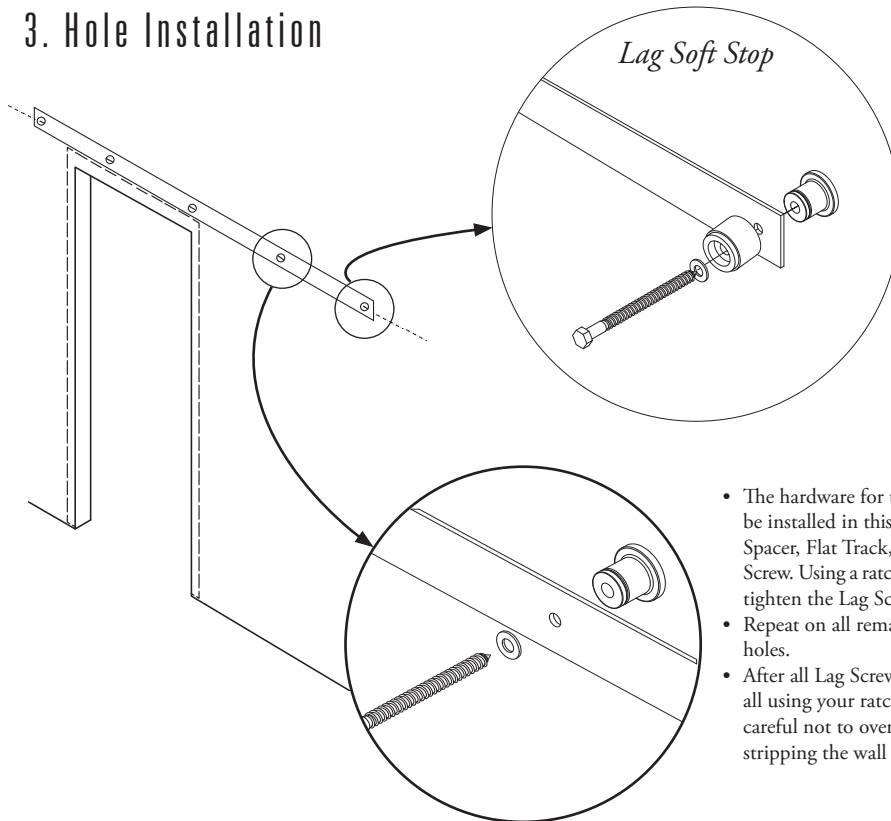
2. Hanging Your Track



- Loosely attach one end of the Track using a Spacer and a Lag Soft Stop (see below).
- Swing the Track up and loosely attach the other end, using a Spacer and a Lag Soft Stop (see below).
- The center holes can now be loosely attached (see below).



3. Hole Installation



- The **end** holes will be installed with a Lag Soft Stop.
- In this order: Adjustable Spacer, Flat Track, Lag Soft Stop, 1" Washer, and Lag Screw. Using a ratchet with a 9/16" socket, tighten the Lag Screw most of the way, enough to hold the Track in place, but allowing the Track to move.
- Swing the Track up to be horizontal, and repeat the same step on the opposite end of the Track.



- The hardware for the **middle** holes will be installed in this order: Adjustable Spacer, Flat Track, 1" Washer, and Lag Screw. Using a ratchet with a 9/16" socket, tighten the Lag Screw most of the way.
- Repeat on all remaining middle Track holes.
- After all Lag Screws are in, fully tighten all using your ratchet with socket, being careful not to over-tighten to avoid stripping the wall studs.

When installing your Track, be sure you are drilling into wall studs or into a Header that is installed through the wall studs. This will provide the stability your wall needs to hold the weight of your Door.

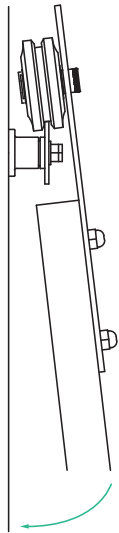


RUSTICA HARDWARE®

INSTALLATION INSTRUCTIONS

1. Installing Your Door

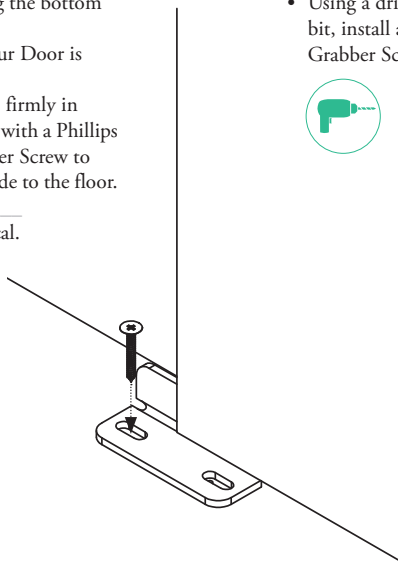
- Lift your Door up to your Track at a slight angle.
- Carefully rest both Wheel grooves onto the top of the track.
- Guide the Door to the resting position.



2. Door Guide Part 1

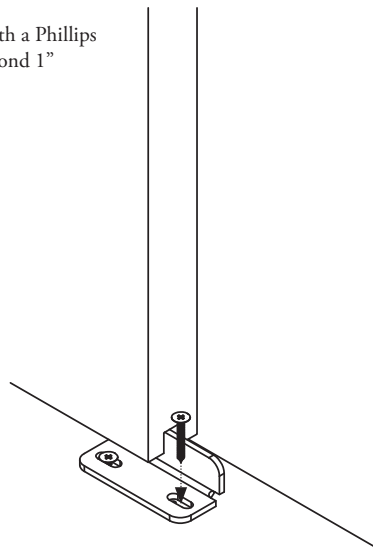
- Use your level to plumb* your Door.
- With the Door in the closed position, place the Door Guide half way into the Door mortise (the groove that runs along the bottom of a wood Door).
- Double check that your Door is plumb.*
- Hold the Door Guide firmly in position. Using a drill with a Phillips bit, install a 1" Grabber Screw to secure your Door Guide to the floor.

*Plumb - perfectly vertical.



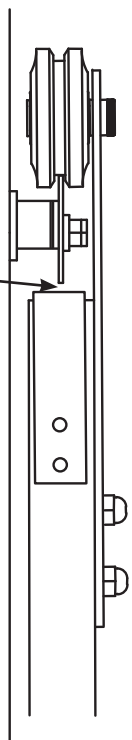
3. Door Guide Part 2

- Slide the Door into the open position exposing the other edge of the Door Guide.
- Using a drill with a Phillips bit, install a second 1" Grabber Screw.



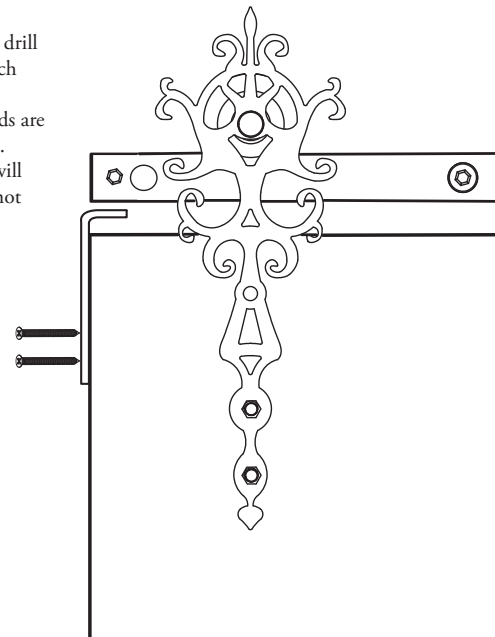
4. Aligning Anti-jump Bracket

- Place your Anti-jump Bracket against the outside edge of your Door.
- Slide the Bracket up until there is a 1/16" to 1/8" space between the top of the Anti-jump Bracket and the bottom of the Track.



5. Installing Anti-jump Bracket

- Holding the Anti-jump Bracket firmly in place, drill Grabber Screws into each of the two holes in the Bracket until screw heads are flush with your Bracket. Installing this Bracket will ensure your Door will not come off its Track.



RUSTICAHARDWARE®

ENJOY!



Thank you for your purchase from Rustica Hardware. We hope that your purchasing and installation experience was exceptional. If you need installation assistance or have any feedback, we would love to hear from you.

www.RusticaHardware.com

1.800.891.8312



RUSTICAHARDWARE®

