

INSTALLATION INSTRUCTIONS



Adjustable Wall-Mount Standard DOOR GUIDE

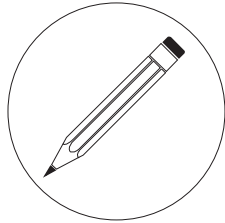
This Door Guide is best for applications in which installation on your floor is not desired. A mortise along the length of the bottom of the Door is required (see next page).



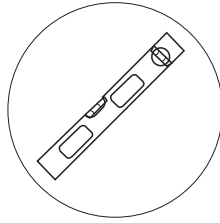
PARTS AND TOOLS

INSTALLATION INSTRUCTIONS

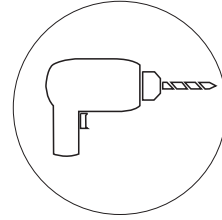
Tools Needed



Pencil

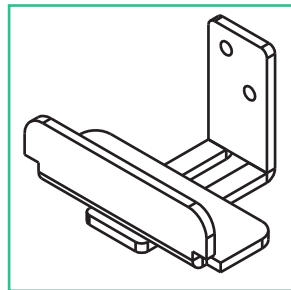


Short Level

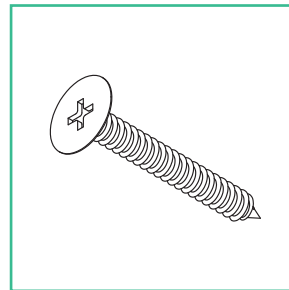


Drill with Phillips bit

Parts Included

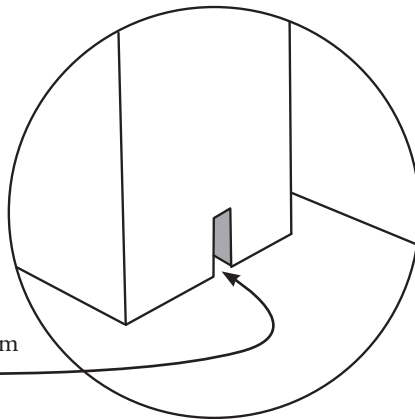


Door Guide



Grabber Screws

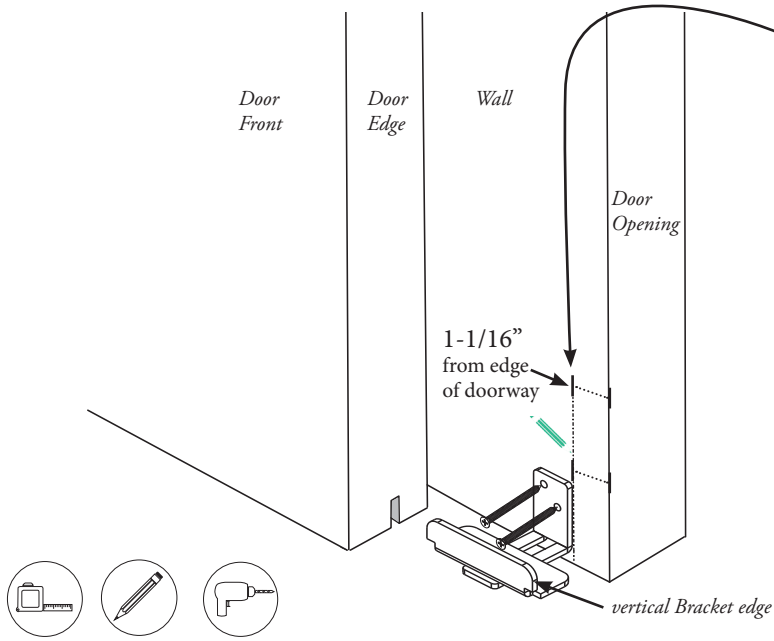
A mortise is the channel that runs along the bottom of your Door.



DOOR GUIDE

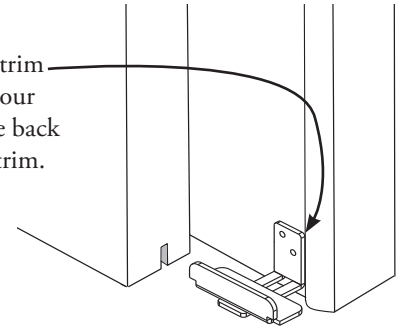
INSTALLATION INSTRUCTIONS

1. Installing Your Door Guide

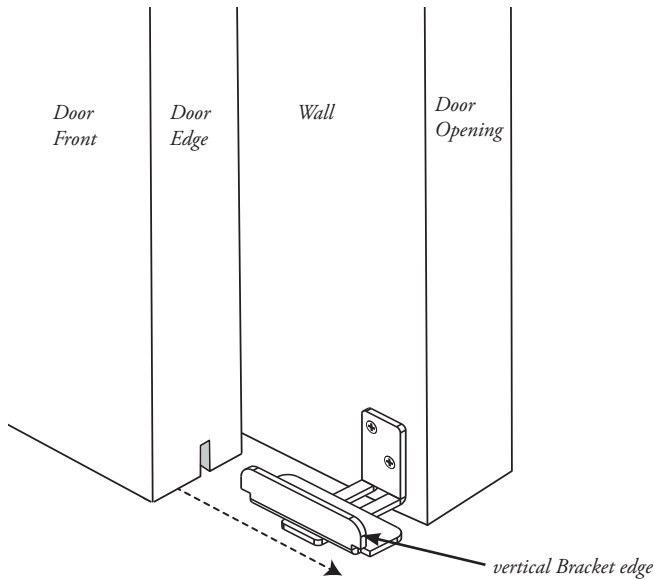


- Slide your Door to the open position slightly so you have access to your wall. Pencil a vertical line 1-1/16" from the edge of the door opening.
- With the edge of the Bracket **back** lined up with the line you just penciled, shift the Bracket up and down slightly so the mortise along the bottom of the front Door will slide over the vertical Bracket edge.
- Slide your Door partially over the Bracket to make sure the Bracket is in the correct location.
- Slide your Door back out of the way. With a drill and a Phillips bit, drill a Grabber Screw into each hole in the Bracket back plate.

- If your doorway has trim or moulding, place your Door Guide with the back plate up against the trim.



2. Aligning Front Door Over Door Guide



- Slide your Door so the mortise along the bottom of the Door slides over the vertical Bracket edge.
- Move the sliding bottom part of the Bracket back and forth until the vertical Bracket edge is centered inside the mortise. Roll your Door aside and tighten the nut to hold the Bracket bottom in place.

