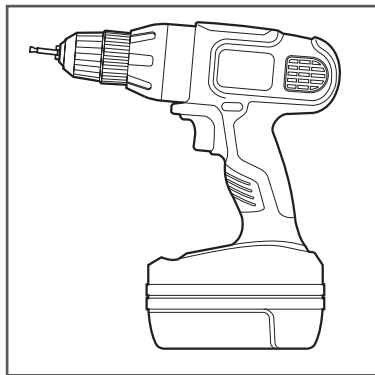


FLOOR MOUNT ROLLER DOOR GUIDE

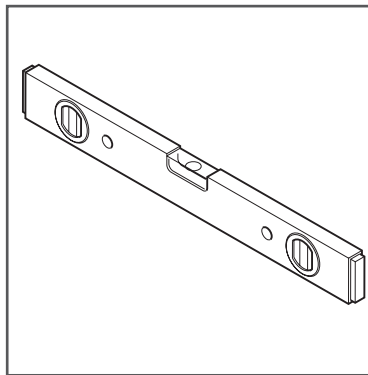
INSTALLATION INSTRUCTIONS



FLOOR MOUNT ROLLER DOOR GUIDE Recommended Tools

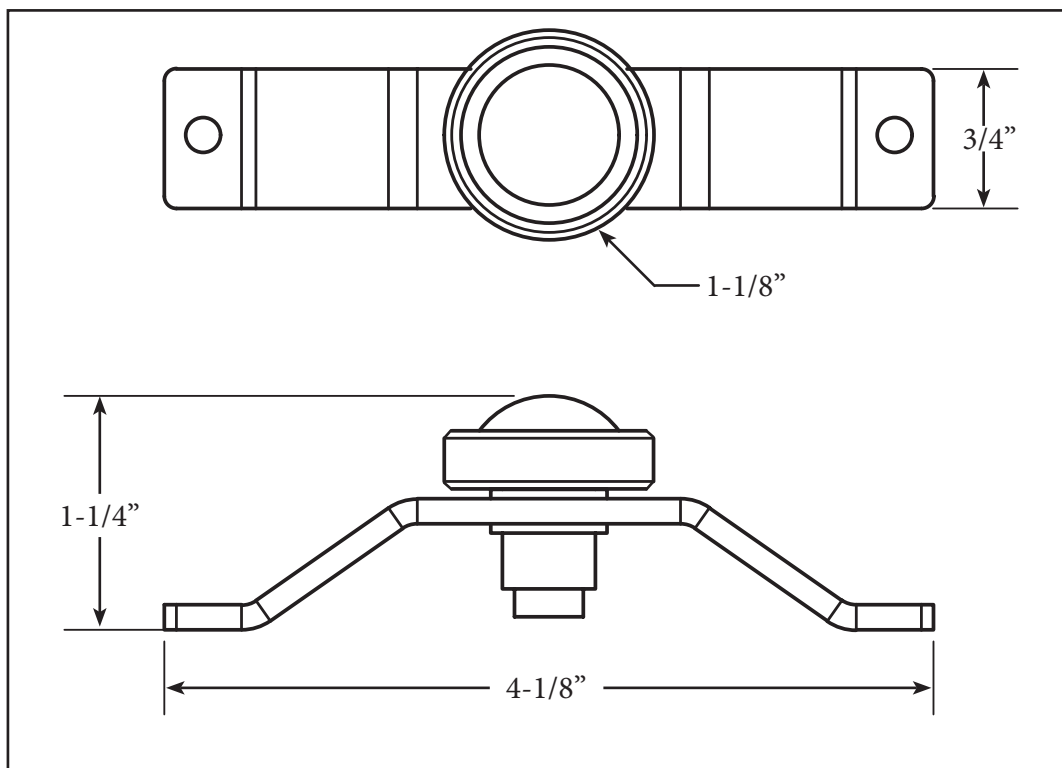


Drill with Phillips Bit

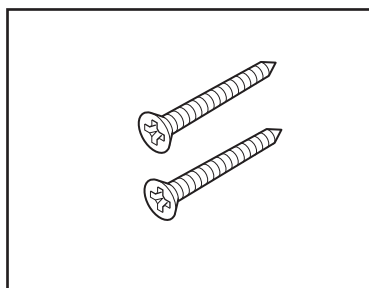
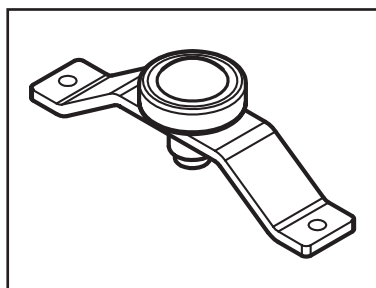


Level

FLOOR MOUNT ROLLER DOOR GUIDE Measurements



FLOOR MOUNT ROLLER DOOR GUIDE Parts



FLOOR MOUNT ROLLER DOOR GUIDE Installation

NOTE:

Floor Mount Roller Door Guides are only intended for doors that don't have a mortise (groove) on the bottom of the door.

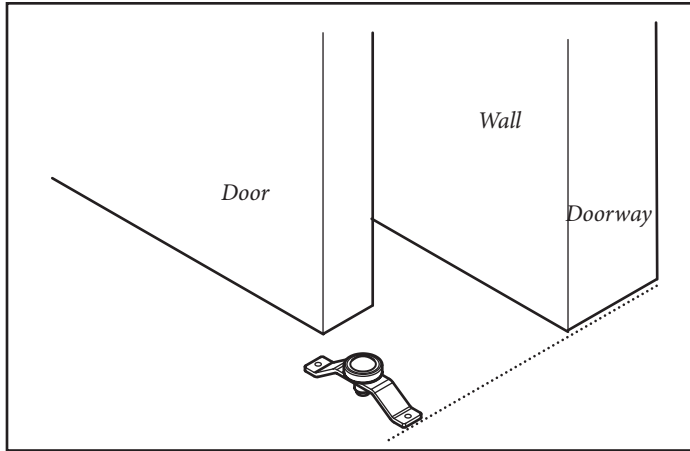


Figure 1

1. Place door guide on the floor, aligning it with the doorway (Figure 1).

SUGGESTION:

Use pieces of double stick tape on the bottom of the door guide to help hold the guide in place while completing steps 2 and 3.

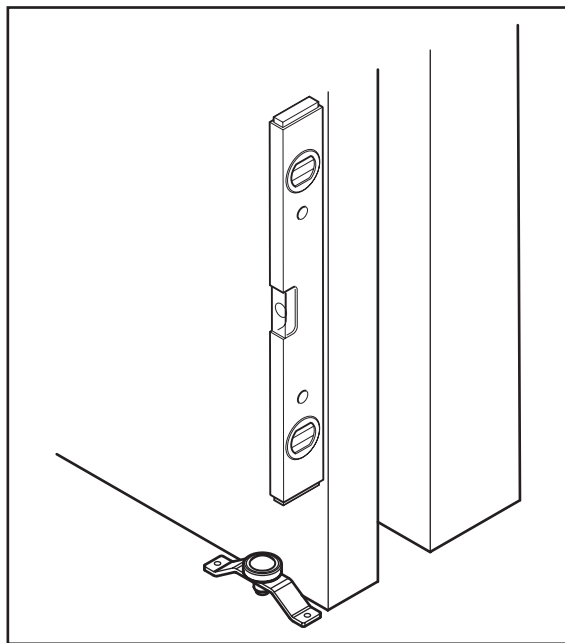


Figure 2

2. Pull the door to the edge of the doorway. Adjust the door guide placement so the door hangs straight while touching the door guide. Use a level to ensure the door is straight (Figure 2). Slide the door away from the door guide.

3. Attach the door guide to the floor using two phillips head screws (provided) (Figure 3).

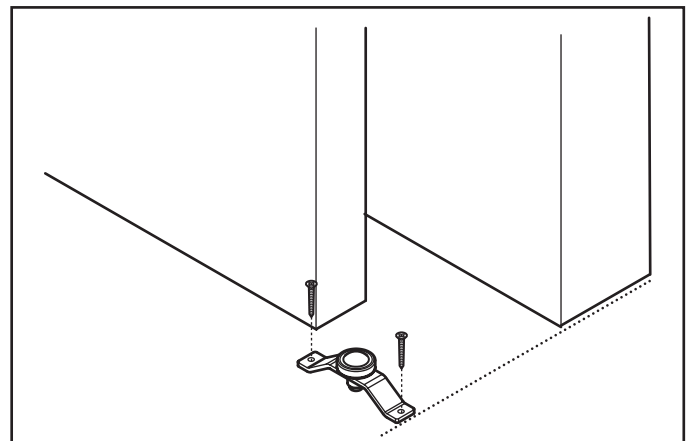


Figure 3

VERSION

3

03 — 2017

WE LOVE WHAT YOU ARE DOING WITH THE PLACE

**CONGRATULATIONS ON YOUR DECISION TO BRING HOME
AN AMERICAN MADE PRODUCT OF THE HIGHEST QUALITY.
WE HOPE YOUR FLOOR MOUNT ROLLER DOOR GUIDE BRINGS ART
AND FUNCTION INTO YOUR LIFE.**

**DESIGNED AND CRAFTED
ENTIRELY IN THE**

U.S.A.



**DON'T BE A STRANGER. FOLLOW US
ON SOCIAL MEDIA.**



support@rusticahardware.com